

Foster Cooktops

Cooktop Prof FT - **7245 962**

HIGHLIGHTS



Professional grids.

All the Foster cooker hobs are equipped with cast-iron grids. It is a perfect material for its many properties: high thermal capacity that improves the cooking efficiency, weight that improves safety, sturdiness and easiness to clean.



Metal Knobs.

Exclusive and original, the Foster metal knobs are an example of the strength and quality of the materials used. A distinctive feature shared by all the Foster elements in this collection to form an elegant uniformity in the kitchen.



Safe Cooking.

All Foster cooker hobs are equipped with safety valves. These shut off the gas supply very quickly if the flame accidentally goes out. The utmost freedom of movement it is guaranteed by the electronic under knob ignition that allows a one-hand movement.



Flush/mount installation.

The flush-mount cooker hobs have no vertical edge, and it can be sunk into a recess in the worktop's surface (fm), or simply placed on the worktop like a standard built-in product (om).

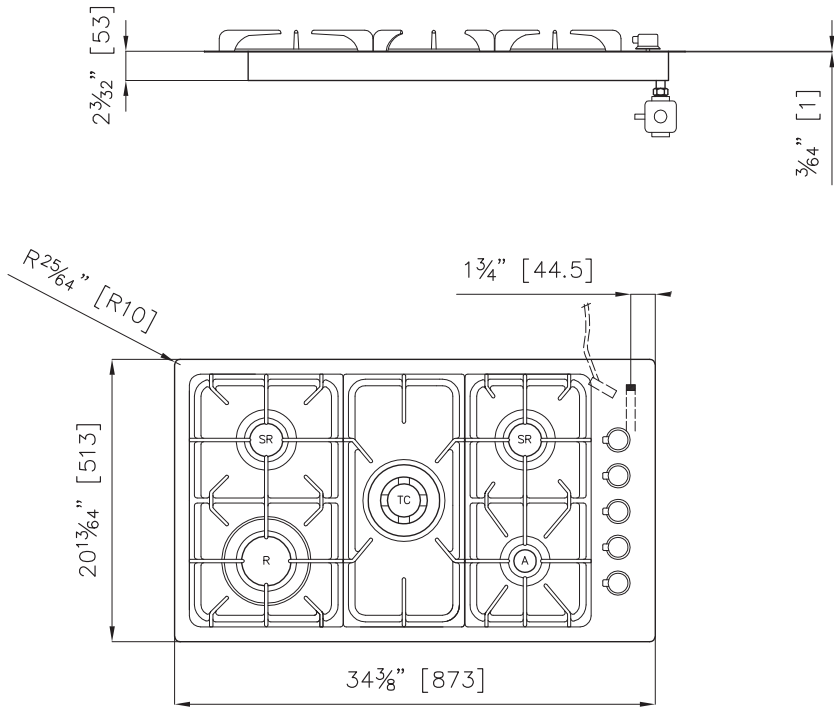


Series	Professional
Model	Cooktop Prof FT
Dimensions	34 3/8" x 20 3/16"
Maintop finish	AISI 304 Stainless Steel Satin finish
Kind of Edge	1 mm - flush edge
Installation	Flush-mount or overmount
flush-mount cut-out	see cut-out drawing
overmount cut-out	33 55/64" x 19 11/16"
Grids	Enamelled cast iron
hob controls	Knobs
Knobs	solid Metal
Safety	Safety valves
Total power Btu/h	31,600 Btu
burners	5
Triple crown	11.000
rapid	7.600
semirapid	5.100
auxiliary	2.800
Simmer ring	1
Simmer Rate	900 Btu/h
Technical requirements	
Electrical supply	120V 60Hz
Gas std setting	Natural Gas
LP Gas conversion	kit for all burners included
Certifications	CSA certified for US & Canada

Foster Cooktops

Cooktop Prof FT - **7245 962**

DIMENSIONS



CUT OUT

