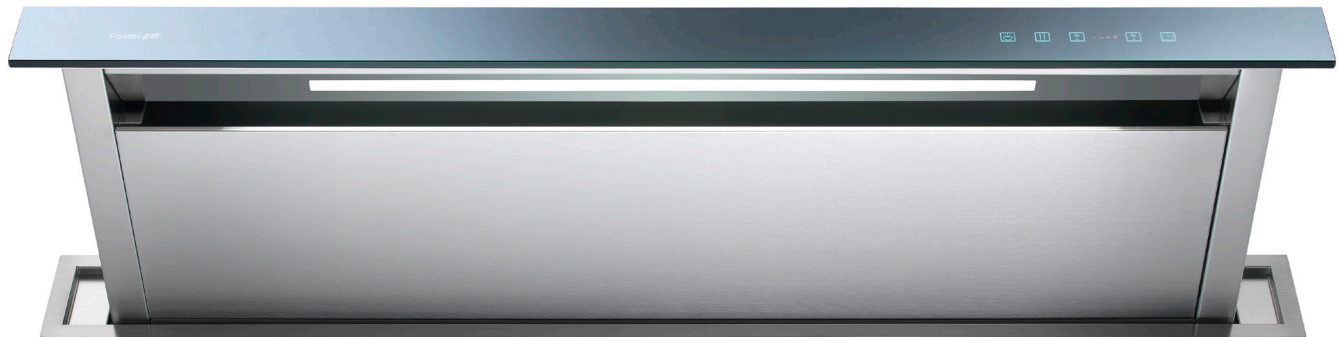


Foster Hoods

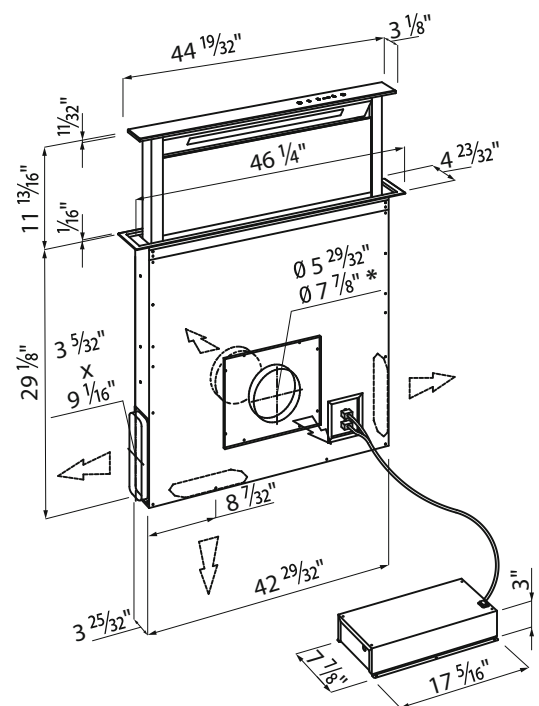
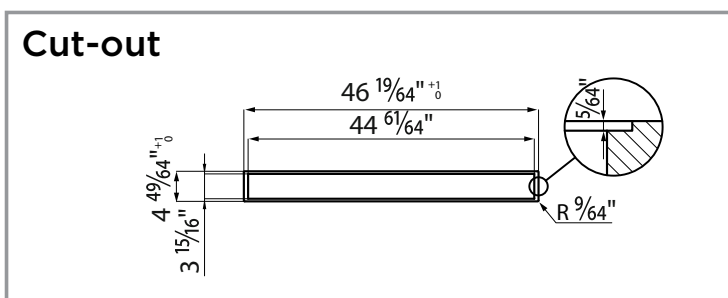
Ghost 48" - **2451 946**



Model	Ghost 48"
Hood Type	Table suction hood
Hood finishing	Satin finish AISI 304 Stainless Steel + Black glass
Dimensions	46 1/4" x 4 23/32"
control type	Touch control
Speed	4 speed
Grease filters	2 filters in anodized aluminium
Charcoal filters	optional
Lighting	1x15.5 W LED Strip
Delay off timer	yes
Light switch	yes
Air Outlet	ø 5 29/32"
Motor	external motor
Electrical Supply:	120VAC - 60Hz
Overmount installation Cut Out:	44 61/64" x 3 15/16"
Flush-mount installation Cut Out:	see drawing

accessories	
charcoal filters	N°1 kit cod. 9700 723

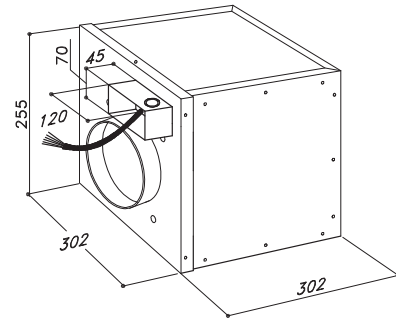
Certifications	CSA certified for US & Canada
----------------	-------------------------------



* accessory outlet ø 7 7/8"

Foster Hoods

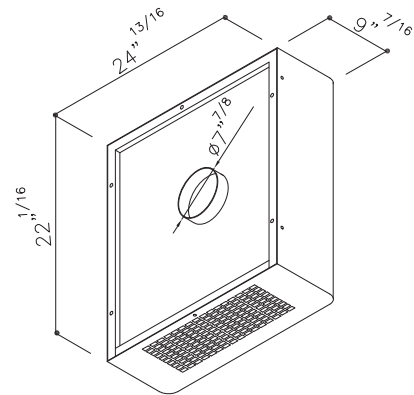
Motor for indoor installation - 2459 940



Remote motor

model	Motor for indoor installation
Air flow rate	600 CFM
Pressure	480 Pa
Noise Level	62 dBA
Air Inlet	ø 5 29/32"
electrical requirements	120VAC - 60Hz
Max Amp usage, power rating	4,5A

Motor for outdoor installation - 2459 930



Remote motor

model	Motor for outdoor installation
Air flow rate	1100 CFM -EBM
Absorbption	420 W
Pressure	920 Pa
Noise Level	62 dBA
Air Inlet	ø 7 7/8" round
electrical requirements	120VAC - 60Hz
Max Amp usage, power rating	3A